

# GROUND LEVEL SPILL CONTAINER

## Model 1

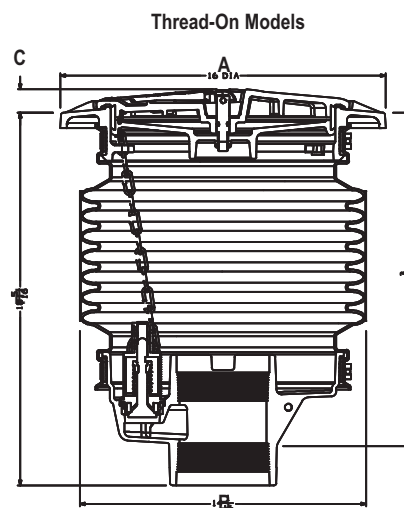
The Model 1 ground level spill containers are designed to catch any oil which can be spilled when disconnecting the delivery fitting during normal tank filling operations. The spill is prevented from entering the soil near the fill terminal and is allowed to drain directly into the tank. The optional suction hand pump allows removal of the unwanted overflow completely. Each spill container is complete, ready for installation and easily retrofits onto an existing 4" riser pipe. It includes a 4" fill nipple, corrosion resistant lockable fill cap and composite top-seal tight fill adapter. The fill cap meets tamper-proof and liquid-tight regulations. The fill cap meets tamper-proof and liquid-tight regulations. The Model 1 ground level spill container is protected from heavy driveway traffic and surface water by a ramped, drain slotted, cast iron body ring. A flexible bellows construction permits height alignment to grade. The design prevents the transmission of traffic weight to the fill terminal, and accommodates normal tank, concrete or grade settling. The durable heavy duty plastic construction of the assembly below grade section assures years of maintenance free protection. Should the need for soil testing arise, the removable bellows and lower body provide access without costly concrete excavation.



Fuel Oil Specialties

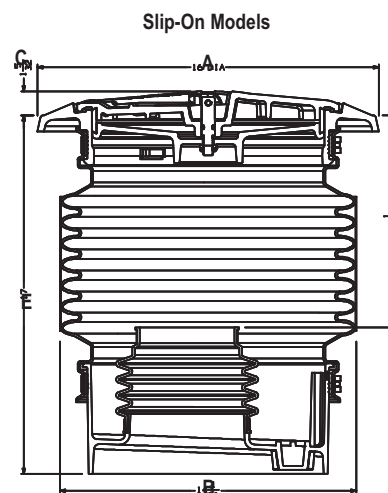
### Thread-On Models

	1-05A		1-15A	
	in.	cm	in.	cm
A	16	40	16 <sup>7</sup> / <sub>32</sub>	41
B	14 <sup>1</sup> / <sub>16</sub>	36	22	56
C	1 <sup>5</sup> / <sub>32</sub>	3	1 <sup>5</sup> / <sub>32</sub>	3
D	16 <sup>3</sup> / <sub>16</sub>	42	22	56
E	18 <sup>5</sup> / <sub>16</sub>	47		



### Slip-On Models

	1-05		1-15	
	in.	cm	in.	cm
A	16	41	16 <sup>7</sup> / <sub>32</sub>	41
B	14	36	22	56
C	1 <sup>5</sup> / <sub>32</sub>	3	1 <sup>5</sup> / <sub>32</sub>	3
D*	10 <sup>1</sup> / <sub>16</sub>	26	22	56
E*	17	43	22	56



# GROUND LEVEL SPILL CONTAINER

Model 1

## Suggested Specifications

Storage tank fill lines shall terminate in a Preferred Utilities Mfg. Corp., Danbury, CT, Model 1 ground level (\_\_\_ gallon) spill container. The spill container shall include a composite top-seal, tight fill adapter and locking fill cap. To prevent damage from frost heave, normal settling, or roadway traffic, the spill compartment shall incorporate a flexible bellows protected by a ribbed gravel shroud. The noncorrosive resin spill compartment shall be readily removable to allow soil testing directly through the spill container without breaking the concrete. The drain valve shall close with tank pressure to help prevent leakage during tank testing or filling.

## Specifications:

**Cover:** Aluminum  
**Body Ring:** Cast iron, epoxy coated  
**Bellows:** Low density polyethylene  
**Gravel Shroud:** High density polyethylene  
**Lower Body:** High impact composite  
**Drain Valve:** Acetal, polypropylene  
**Clamps:** Stainless steel  
**Seals:** Buna-N

*Specifications subject to change without notice.*

## Ordering Information

Description	Catalog Number
5 gallon, slip on	1-05
5 gallon, thread on with drain	1-05A
15 gallon, slip on (NYC Fire Dept. Approved)	1-15
15 gallon, thread on with drain	1-15A
Optional hand pump	11280